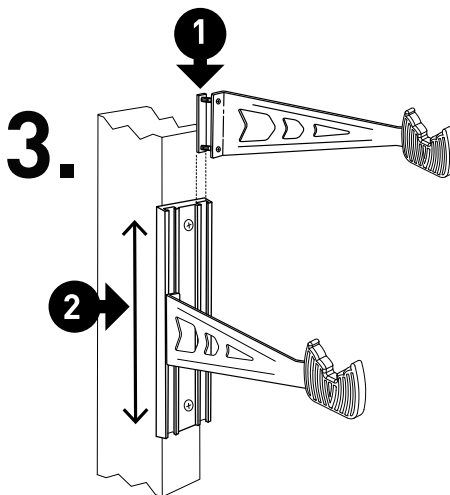
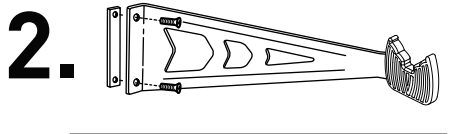
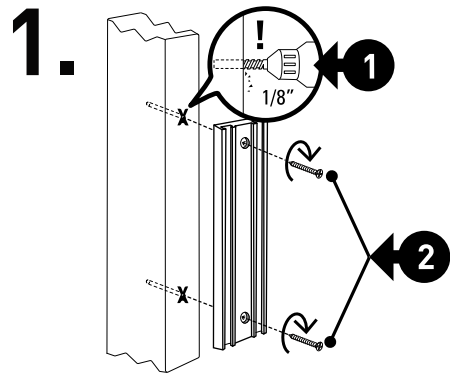




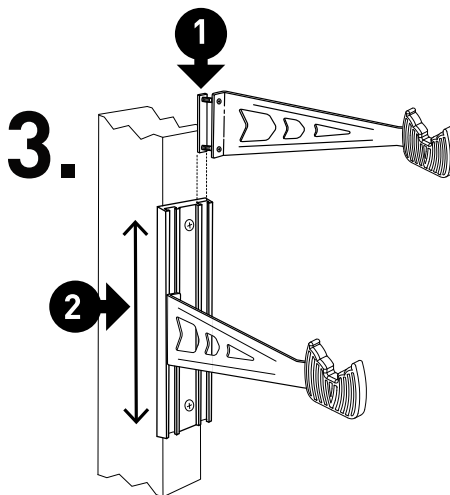
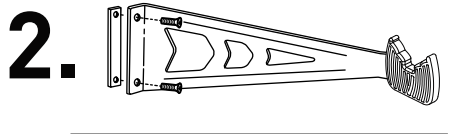
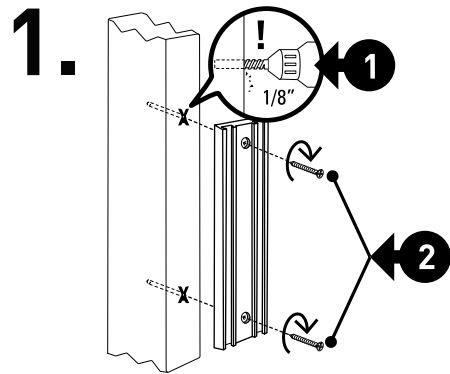
**MOUNTING INSTRUCTIONS:
VELO WALL RACK**



NOTE: After mounting the wall rack and adjusting the arms, tighten all screws. Test by weighting with equipment to insure proper installation. Feedback Sports is not responsible for any damage resulting from improper installation. For more information visit www.feedbacksports.com



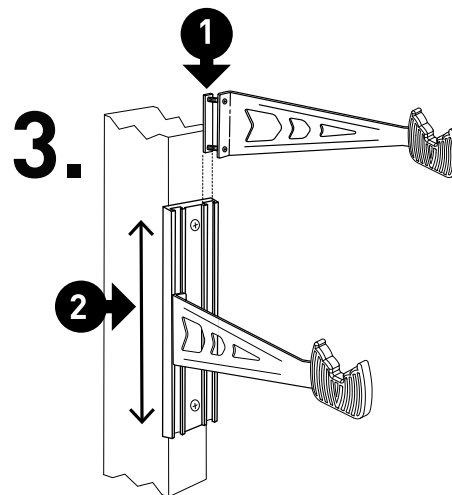
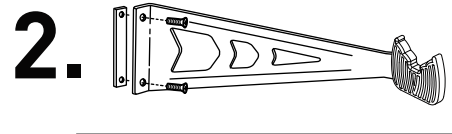
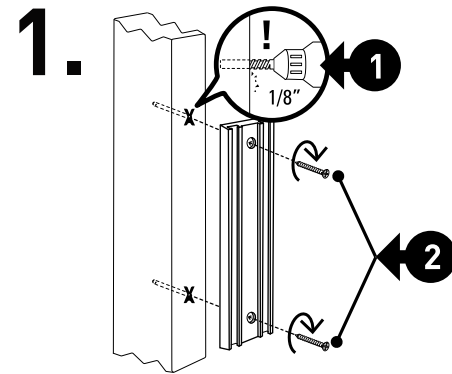
**MOUNTING INSTRUCTIONS:
VELO WALL RACK**



NOTE: After mounting the wall rack and adjusting the arms, tighten all screws. Test by weighting with equipment to insure proper installation. Feedback Sports is not responsible for any damage resulting from improper installation. For more information visit www.feedbacksports.com



**MOUNTING INSTRUCTIONS:
VELO WALL RACK**



NOTE: After mounting the wall rack and adjusting the arms, tighten all screws. Test by weighting with equipment to insure proper installation. Feedback Sports is not responsible for any damage resulting from improper installation. For more information visit www.feedbacksports.com